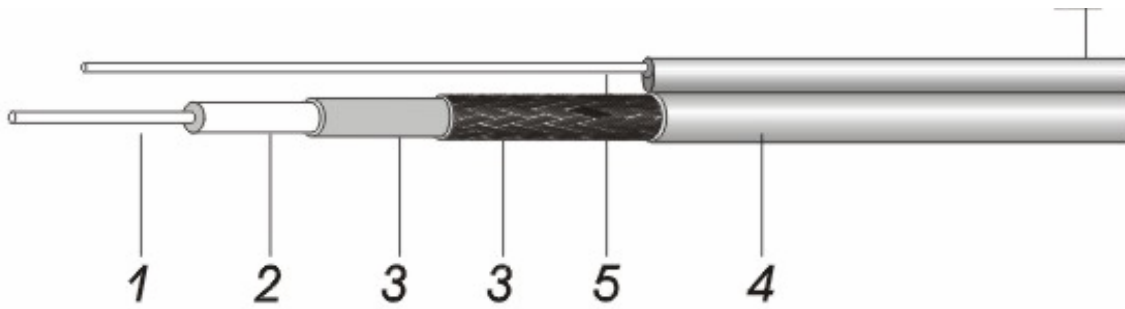


RG6 S95% with Messenger Wire Coaxial Cable 75 Ohm.



Construction Specification :

	Material	Diameter (mm.)
1. Inner Conductor	Solid Copper Clad Steel	1.02
2. Dielectric	Physical Foam Polyethylene	4.57
3. Outer Conductor	Bonded Aluminum Foil + Aluminum Braid	5.40
4. Jacket	PVC (UV Resistant Black Color)	6.91
5. Messenger	Steel	1.30

Electrical Characteristics :

Capacitance (pF/m)	53.00
Impedance (Ohm)	75.00
Velocity (%)	85.00
Inner Conductor DC Resistance (Ω / km)	21.00
Outer Conductor DC Resistance (Ω / km)	40.00
Loop Conductor DC Resistance (Ω / km,)	61.00
Shielding Effectiveness (dB)	>70.00
Min. Bend Radius (mm)	35.00
Operating Temp ($^{\circ}$C)	-20 to +80
Return Loss (\geqdB)	
VHF	20.00
UHF	18.00

Attenuation (20 $^{\circ}$ C)

Frequency(MHz)	Attenuation(\geq dB/100m)
1	1.64
5	2.62
10	2.95
50	4.92
100	6.56
200	9.18
400	13.12
700	17.38
900	20.01
1000	21.32